

SWIMMING POOL HEAT PUMPS

While all heat pumps offer sustainable, dynamic heating or cooling for your swimming pool, none offer the same energy savings and reduced running costs as our Calorex range.

Our heat pump systems provide total temperature control all year round, working at temperatures as low as -10°C for both indoor and outdoor pools. This versatility and reliability across our range ensures your water remains at the optimal warmth, whether you run a busy leisure park, a soothing spa, or are taking care of your own pool at home.

As well as effortless heating and cooling, Calorex heat pumps can save you up to 75% on both operating costs and carbon savings against electric heaters, offering a solution that is as economic as it is effective.



C-PAC+ heat pumps are an environmentally friendly and efficient way to heat your swimming pool. The low energy consumption coupled with high heat production makes for lower pool running costs. Unlike alternative ways of heating your pool, the C-PAC+ requires no fuel storage tank or high capacity electrical supply and produces no smells, fumes or CO₂ gases.



- Quiet, aesthetically pleasing design
- Eco-friendly refrigerant R32* = 675 GWP, (Global Warming Potential)
- ABS cabinet
- Rotary compressor
- Titanium heat exchanger
- Reverse cycle defrost – operation to -10°C air temperature
- Can heat water to 40°C
- Multifunction operation – can be set to heating, cooling and heat/cool
- ‘Smart’ pool pump control
- Water flow switch

**Only C-PAC+ 6-15 are R32.*

Included in the box



**Rubber feet
(kit of 4)
1005526**



**Drainage kit
1005558**



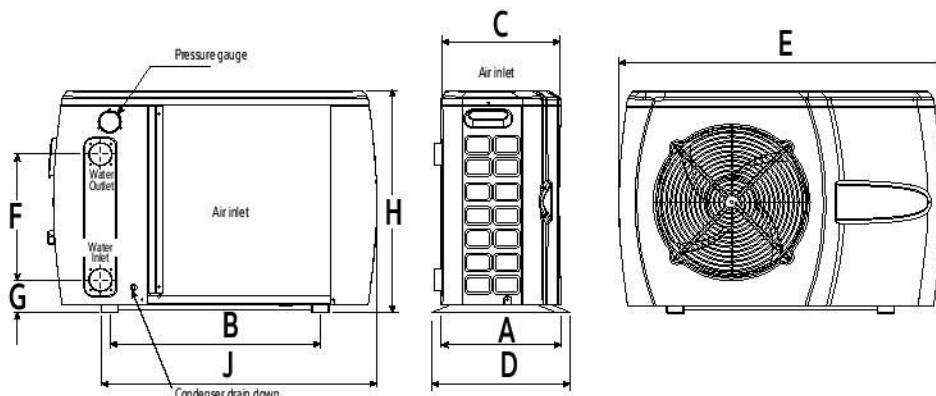
**Water union
connectors 2 x 1½
2 x 50mm 1005629**

SMALL AIR SOURCE HEAT PUMPS

CALOREX C-PAC+ 6-8-12-15-20



Dimensions (mm)



Model	A	B	C	D	E	F	G	H	J
C-PAC+ 6ALY	381	620	363	405	968	370	96	654	741
C-PAC+ 8ALY	381	620	363	405	968	370	96	654	741
C-PAC+ 12ALY	466	750	443	490	1130	395	87	709	933
C-PAC+ 15ALY	466	750	443	490	1130	395	87	709	933
C-PAC+ 20ALY	496	870	470	520	1299	475	65	809	1077

Specifications	Units	C-PAC+6ALY	C-PAC+8ALY	C-PAC+12ALY	C-PAC+15ALY	C-PAC+20BLY
Air temperature range	°C	-10-43	-10-43	-10-43	-10-43	-10-43
Water temperature range	°C	8-40	8-40	8-40	8-40	8-40
Performance – air 24°C 80% RH, Water 26°C						
Heating capacity	kW	7.5	8.9	13.5	16.9	23.1
Input power	kW	1.2	1.4	2.0	2.7	4.6
COP	-	6.3	6.4	6.6	6.3	5.0
Performance – air 15°C 70% RH, Water 26°C						
Heating capacity	kW	5.8	6.9	10.8	14.1	20.0
Input power	kW	1.2	1.4	2.1	2.7	4.9
COP	-	4.6	4.8	5.2	5.1	4.1
Performance – air 5°C 100% RH, Water 26°C						
Heating capacity	kW	4.7	5.1	8.2	10.6	14.1
Input power	kW	1.1	1.3	1.9	2.7	3.9
COP	-	4.2	3.9	4.3	3.9	3.6
Power supply	V/Hz	230/1ph/50	230/1ph/50	230/1ph/50	230/1ph/50	400/3ph/50
Max. current	A	10.0	15.3	18.3	25.3	11.1
Air flow	m³/h	2,100	2,100	3,500	3,500	5,000
Sound pressure level @ 3m	dB(A)	37	38	39	39	41
Sound pressure level @ 10m	dB(A)	28	29	30	30	32
Refrigerant		R32	R32	R32	R32	R410A
Gas weight/CO ₂ equivalent	kg/t	0.9/0.61	1.0/0.68	1.5/1.01	1.5/1.01	2.8/5.85
Product size (w x d x h)	mm	933x401x657	933x401x657	1130x490x709	1133x490x709	1299x520x809
Weight	kg	50	59	71	93	117

SMALL INVERTER HEAT PUMPS CALOREX I-PAC 8-12-16-22

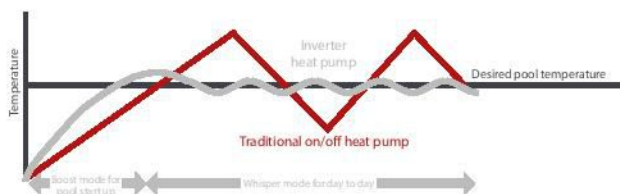


Inverter technology allows for efficient control of the pool temperature, and the I-PAC only uses what energy is needed when it is required. High efficiency with modulating step-less inverter compressor giving an average COP of 9.7.



- Average COP 9.7 = 2 x more efficient than on/off heat pumps
- R32 = 675 GWP, (Global Warming Potential)
- Inverter heat pump
- Power ratings from 9.5 to 25kW
- 9-11 dB(A) sound reduction compared to an equivalent on/off heat pump, with 'Whisper Mode'
- Operates in air temperatures of -5°C to 43°C
- Integrated controller with a touchscreen user interface
- Function settings for heating, cooling or heat/cool
- Soft start-up
- Aluminium alloy
- Built-in Wi-Fi module
- Winter protection cover included

Temperature control chart



The PoolTherm App for our Calorex I-PAC inverter heat pumps is available on Android and iOS. Simply search for 'PoolTherm' in App Store or Google Play and download it today!



Included in the box



**Rubber feet
(kit of 4)
1005526**



**Drainage kit
1005558**



**Water union
connectors 2 x 1 1/2
2 x 50mm 1005629**

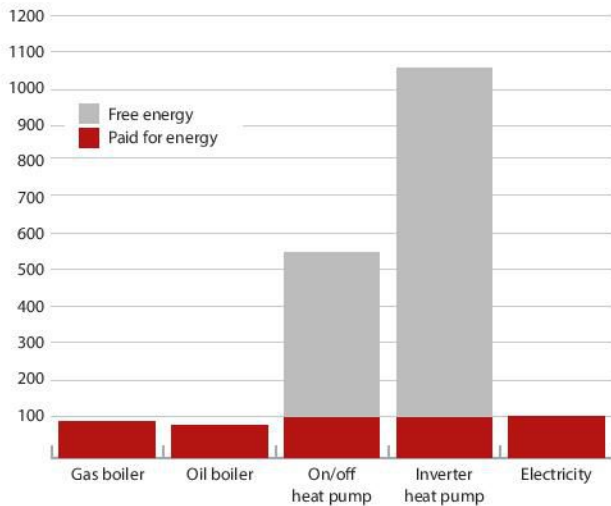


**Remote LED
control kit w/10m
cable 1005544**

SMALL INVERTER HEAT PUMPS CALOREX I-PAC 8-12-16-22



Heating method efficiency chart

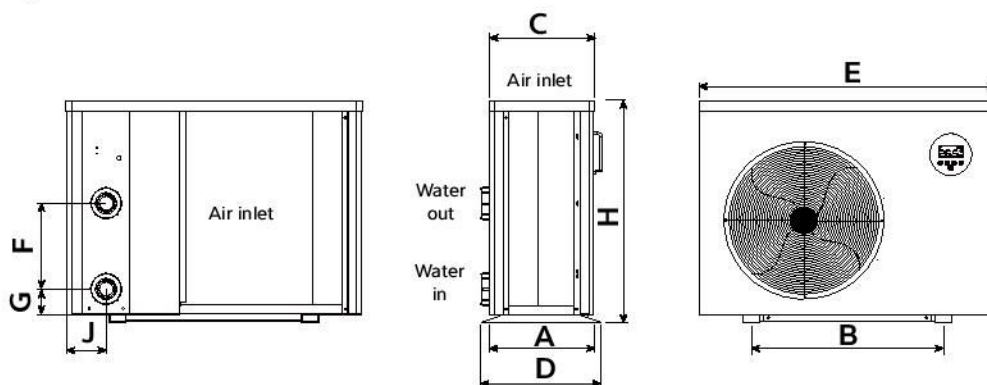


Great value, and environmentally conscious heating option, with energy consumption half that of a traditional on/off heat pump, and 1/10 of that for gas or electric pool heating.

Where our heat pump sits on the decibel scale



Dimensions (mm)



Model	A	B	C	D	E	F	G	H	J
I-PAC 8ALX	334	560	318	359	864	250	74	648	116
I-PAC 12ALX	334	560	318	359	864	290	74	648	116
I-PAC 16ALX	334	590	318	359	954	390	74	748	116
I-PAC 22ALX	404	720	388	429	1084	640	74	948	107

Specifications	Units	I-PAC 8ALX	I-PAC 12ALX	I-PAC 16ALX	I-PAC 22ALX
Air temperature range	°C	-5-43	-5-43	-5-43	-5-43
Water temperature range	°C	12-40	12-40	12-40	12-40
Performance – air 27°C 80% RH, water 27°C					
Heating capacity	kW	9.5	13.0	20.0	25.0
COP range		13.2-5.4	13.5-5.6	13.5-5.7	13.8-5.8
Average COP at 50% speed		8.9	9.7	9.3	9.6
Performance – air 15°C 70% RH, water 26°C					
Heating capacity	kW	7.0	9.5	13.5	17.0
COP range	kW	6.9-4.2	7.0-4.0	7.0-4.2	7.2-4.0
Average COP at 50% Speed	kW	6.3	6.1	6.3	6.4
Performance – air 5°C 70% RH, water 10°C					
Heating capacity	kW	4.1	5.6	7.9	9.9
Performance – air 35°C 80% RH, water 28°C					
Cooling capacity	kW	3.9	5.2	7.4	9.4
Power supply	V/Hz	230/1ph/50	230/1ph/50	230/1ph/50	230/1ph/50
Rated input power	kW	0.3-1.79	0.40-2.38	0.57-3.21	0.69-4.25
Maximum input current	A	9.5	12.5	19.5	20.0
Water flow	m ³ /h	3.0-5.0	4.0-6.0	7.0-10.0	10.0-12.0
Water connection	"/mm	1½/50	1½/50	1½/50	1½/50
Compressor		Inverter	Inverter	Inverter	Inverter
Condenser		Titanium	Titanium	Titanium	Titanium
R32 gas weight/CO ₂ equivalent	kg/t	0.6/0.41	0.9/0.61	1.1/0.74	2.0/1.35
Sound pressure level @ 10m	dB(A)	19.6-31.5	21.9-32.0	24.3-36.1	24.9-36.7
Product size (w x d x h)	mm	864 x 359 x 648	864 x 359 x 648	954 x 359 x 748	1084 x 429 x 948
Weight	kg	47	49	68	90

SMALL INVERTER HEAT PUMPS

CALOREX I-PAC+ 12-16-22-28



Benefits

- All year heating for outdoor and indoor pools
- Can operate down to -10°C ambient air temperature
- High heating performance at lower temperatures – ideal for quick pool heat up at the start of the season
- Pool heating at altitude
- Higher cooling capacity
- Most efficient models – highest COP



- COP > 10 = 2 x more efficient than on/off heat pumps
- R32 = 675 GWP, (Global Warming Potential)
- Inverter heat pump
- Power ratings from 15 to 36kW
- 9-11 dB(A) sound reduction compared to an equivalent on/off heat pump, with 'Whisper Mode'.
- Operates in air temperatures of -10°C to 43°C
- Integrated controller with a touchscreen user interface
- Function settings for heating, cooling or heat/cool
- Soft start-up
- Aluminium alloy
- Built-in Wi-Fi module
- Winter protection cover included

Optional accessories



Remote LED control kit w/10m cable 1005544



The PoolTherm App for our Calorex I-PAC inverter heat pumps is available on Android and iOS. Simply search for 'PoolTherm' in App Store or Google Play and download it today!



Included in the box



Rubber feet (kit of 4) 1005526



Drainage kit 1005558

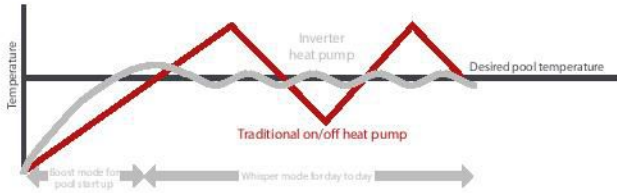


Water union connectors 2 x 1½ 2 x 50mm 1005629

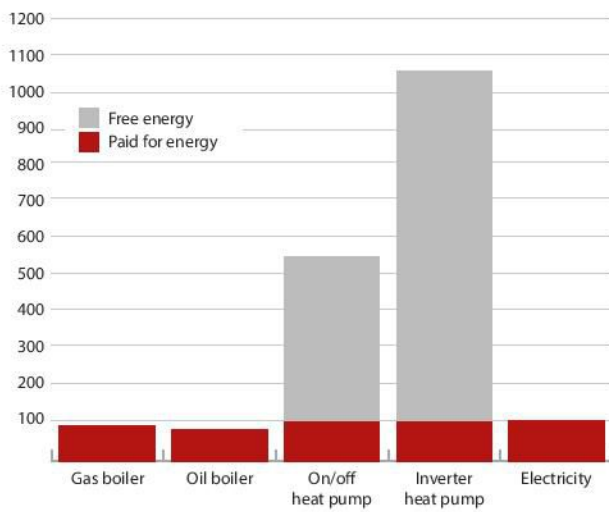
SMALL INVERTER HEAT PUMPS CALOREX I-PAC+ 12-16-22-28



Temperature control chart



Heating method efficiency chart

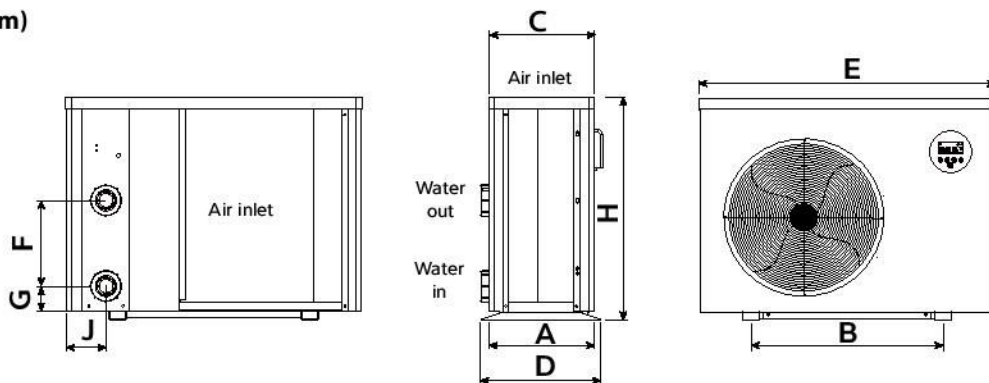


Great value, and environmentally conscious heating option, with energy consumption half that of a traditional on/off heat pump, and 1/10 of that for gas or electric pool heating.

Where our heat pump sits on the decibel scale



Dimensions (mm)



Model	A	B	C	D	E	F	G	H	J
I-PAC 12ALY	334	590	318	359	954	340	74	648	107
I-PAC 16ALY	404	590	388	429	954	460	74	755	107
I-PAC 16BLY	404	590	388	429	954	460	74	755	107
I-PAC 22ALY	404	720	388	429	1084	620	74	948	107
I-PAC 22BLY	404	720	388	429	1084	620	74	948	107
I-PAC 28BLY	514	790	498	539	1154	650	74	948	128

Specifications	Units	I-PAC+ 12ALY	I-PAC+ 16ALY	I-PAC+ 16BLY	I-PAC+ 22ALY	I-PAC+ 22BLY	I-PAC+ 28BLY
Air temperature range	°C	-10-43	-10-43	-10-43	-10-43	-10-43	-10-43
Water temperature range	°C	12-40	12-40	12-40	12-40	12-40	12-40
Performance – air 27°C 80% RH, water 27°C							
Heating capacity	kW	15.0	21.0	21.0	27.5	27.5	36.0
COP range		15.0-6.6	14.8-6.4	14.8-6.4	15.0-6.5	15.0-6.8	14.8-6.0
Average COP at 50% speed		10.6	10.3	10.3	10.3	10.3	10.2
Performance – air 15°C 70% RH, water 26°C							
Heating capacity	kW	10.5	14.5	14.5	18.0	18.0	23.9
COP range	kW	7.7-4.6	7.1-4.6	7.5-4.6	7.1-4.6	7.5-4.6	7.5-4.6
Average COP at 50% speed	kW	6.4	6.3	6.3	6.3	6.3	6.3
Performance – air 5°C 70% RH, water 10°C							
Heating capacity	kW	7.5	9.6	9.6	11.9	11.9	16.0
Performance – air -10°C 70% RH, water 23°C							
Heating capacity	kW	4.6	5.9	5.9	7.3	7.3	8.8
Performance – air 35°C 80% RH, water 28°C							
Cooling capacity	kW	6.7	9.5	9.5	11.9	11.9	16.0
Power supply	V/Hz	230/1ph/50	230/1ph/50	400/3ph/50	230/1ph/50	400/3ph/50	400/3ph/50
Rated input power	kW	0.27-2.28	0.41-3.15	0.41-3.15	0.48-3.91	0.48-3.91	0.64-5.20
Maximum input current	A	13.5	17.0	5.8	20.0	7.0	9.5
Water flow	m ³ /h	5.0-7.0	8.0-10.0	8.0-10.0	10.0-12.0	10.0-12.0	12.0-18.0
Water connection	"/mm	1½/50	1½/50	1½/50	1½/50	1½/50	1½/50
Compressor		Inverter	Inverter	Inverter	Inverter	Inverter	Inverter
Condenser		Titanium	Titanium	Titanium	Titanium	Titanium	Titanium
R32 gas weight/CO ₂ equivalent	kg/t	0.9/0.61	1.2/0.81	2.0/1.35	1.2/0.81	2.0/1.35	2.7/1.82
Sound pressure level @ 10m	dB(A)	20.8-24.5	20.4-33.7	20.4-33.7	23.0-34.4	23.0-34.4	22.1-34.2
Product size (w x d x h)	mm	954 x 359 x 648	954 x 429 x 755	954 x 429 x 755	1084 x 429 x 948	1084 x 429 x 948	1154 x 539 x 948
Weight	kg	52	68	68	90	93	120

SMALL INVERTER HEAT PUMPS

CALOREX V-PAC 12-16-22



Inverter technology allows for efficient control of the pool temperature, and the V-PAC only uses what energy is needed when it is required. High efficiency with modulating step-less inverter compressor.



- Average COP 10.7 = 2 x more efficient than on/off heat pumps
- Eco-friendly refrigerant R32 = 675 GWP, (Global Warming Potential)
- Inverter heat pump
- Power ratings from 14 to 24kW
- 9-11 dB(A) sound reduction than on/off heat pump, with 'Whisper Mode'.
- Ideal for confined spaces
- Operates in air temperatures of -5°C to +43°C
- Integrated controller with a user interface
- Function settings for heating, cooling or heat/cool
- Soft start-up
- ABS cabinet

Included in the box



**Rubber feet
(kit of 4)
1005526**



**Drainage kit
1005558**



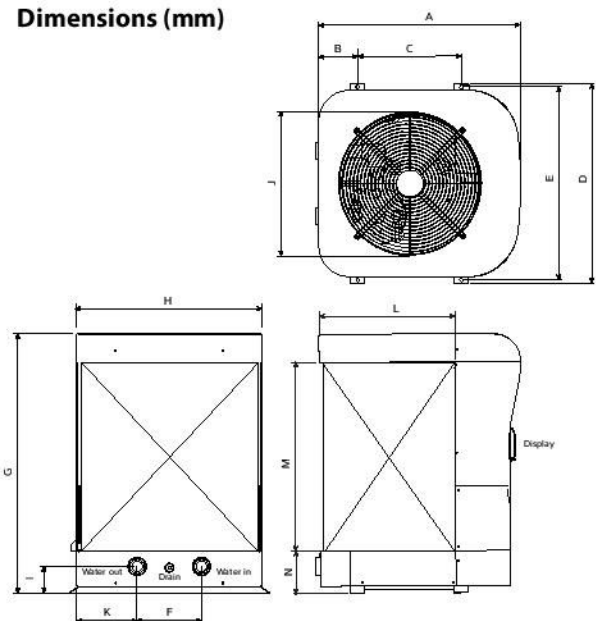
**Water union
connectors 2 x 1½
2 x 50mm 1005629**

SMALL INVERTER HEAT PUMPS

CALOREX V-PAC 12-16-22



Dimensions (mm)



Model	A	B	C	D	E	F	G
V-PAC 12ALX	650	98	362	650	626	220	835
V-PAC 16ALX	650	98	362	650	626	220	835
V-PAC 22ALX	752	138	387	745	721	240	967

Model	H	I	J	K	L	M	N
V-PAC 12ALX	600	92	490	190	430	588	130
V-PAC 16ALX	600	92	490	190	430	588	130
V-PAC 22ALX	695	92	530	228	505	705	157

Specifications	Units	V-PAC 12ALX	V-PAC 16ALX	V-PAC 22ALX
Air temperature range	°C	-5-43	-5-43	-5-43
Water temperature range	°C	8-40	8-40	8-40
Performance – air 27°C 80% RH, water 27°C				
Heating capacity	kW	14.1	18.5	24.4
COP range		13.5-6.28	13.5-6.03	13.5-5.14
Average COP at 50% speed		9.7	9.3	8.8
Performance – air 15°C 70% RH, water 26°C				
Heating capacity	kW	10.6	13.6	17.8
COP range		8.5-5.11	8.4-5.02	6.2-4.14
Average COP at 50% speed		6.5	6.4	4.7
Performance – air 5°C 70% RH, water 10°C				
Heating capacity	kW	6.2	9.0	11.5
Performance – air 35°C 80% RH, water 28°C				
Cooling capacity	kW	6.23	6.7	10.3
Power supply	V/Hz	230/1ph/50	230/1ph/50	230/1ph/50
Rated input power	kW	0.20-2.24	0.23-3.06	0.75-4.75
Maximum input current	A	12.5	15.5	24.5
Water flow	m ³ /h	5.0	6.5	9.0
Water connection	"/mm	1½/50	1½/50	1½/50
Compressor		Inverter	Inverter	Inverter
Condenser		Titanium	Titanium	Titanium
R32 gas weight/CO ₂ equivalent	kg/t	0.8/0.54	0.8/0.54	1.7/1.15
Sound pressure level @ 10m	dB(A)	< 29	< 30	< 30
Product size (w x d x h)	mm	650 x 650 x 835	650 x 650 x 835	745 x 752 x 967
Weight	kg	70	80	95

INVERTER HEAT PUMPS CALOREX I-PAC 50-100BLY



Inverter technology allows for efficient control of the pool temperature, and the I-PAC BLY only uses what energy is needed when it is required. High efficiency with modulating step-less inverter compressor giving an average COP of 10.5 (I-PAC 50BLY) and 10 (I-PAC 100BLY).



- Average COP 10 = 2 x more efficient than on/off heat pumps
- Inverter heat pump
- Titanium heat exchanger
- Fully automatic operation
- Comprehensive circuit protection
- Quiet efficient axial fans
- Weather proof construction
- Multifunction operation functions can be set to heating, heat/cool and cooling
- 10-12 dB(A) sound reduction than on/off heat pump with 'Whisper Mode'
- Soft start-up
- Aluminium alloy
- 50/60Hz compatible
- BMS Connectivity
- Built-in Wi-Fi module

Temperature control chart



Applications

- Outdoor and indoor pools
- Hotel and spa pools
- Health clubs
- Wellness centres
- Therapy pools



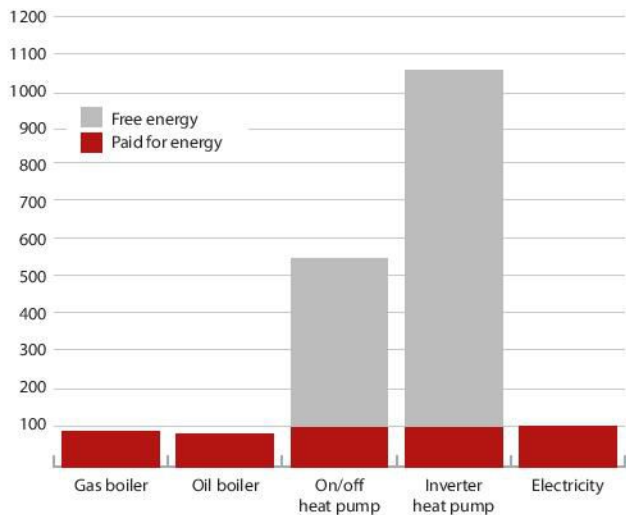
The PoolTherm App for our Calorex I-PAC inverter heat pumps is available on Android and iOS. Simply search for 'PoolTherm' in App Store or Google Play and download it today!



INVERTER HEAT PUMPS CALOREX I-PAC 50-100BLY

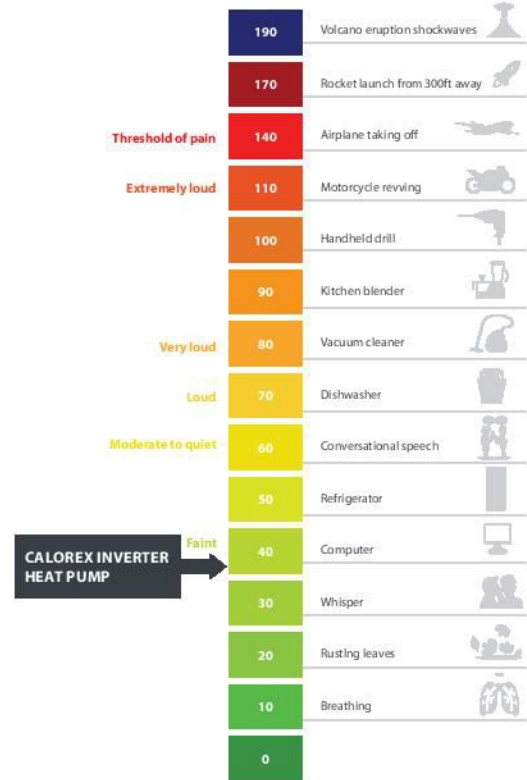


Heating method efficiency chart



Great value, and environmentally conscious heating option, with energy consumption half that of a traditional on/off heat pump, and 1/10 of that for gas or electric pool heating.

Where our heat pump sits on the decibel scale



Specifications	Units	I-PAC 50BLY	I-PAC 100BLY
Air temperature range	°C	-7-43	-7-43
Performance – air 27°C 80% RH, water 27°C			
Heating capacity	kW	60.2	115.0
Average COP @50% speed		10.5	10.0
Performance – air 15°C 70% RH, water 26°C			
Heating capacity	kW	40.1	80.8
Average COP @50% speed		7.0	6.7
Performance – air 5°C 70% RH, water 26°C			
Heating capacity	kW	27	55
Average COP @50% speed		4.8	4.8
Performance – air 35°C 80% RH, water 28°C			
Cooling capacity	kW	26.8	53.5
Power supply	V/Hz	400/3ph/50-60	400/3ph/50-60
Rated input power	kW	2.10-8.18	4.25-17.0
Rated current input	A	3.05-11.90	6.16-24.7
Max. input current	A	19	38
Water flow	m ³ /h	20-25	40-50
Water Pressure Drop	kPa.	50 is 13	100 is 25
Water connection	mm	75	110
Compressor		Inverter	Inverter
Heat exchanger		Titanium	Titanium
R410A gas weight/CO ₂ equivalent	kg/t	8.0/16.70	16/33.41
Sound pressure level @ 1m	dB(A)	53-61	55-64
Sound pressure level @ 10m	dB(A)	33-41	35-44
Product size (w x d x h)	mm	1000 x 1075 x 1260	2100 x 1090 x 1280
Weight	kg	230	448

INVERTER HEAT PUMPS CALOREX I-PAC 50-100BHC

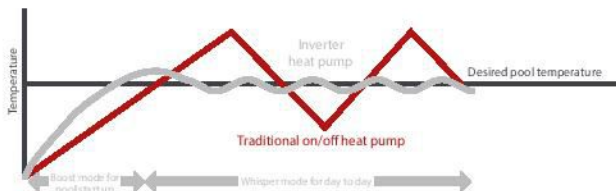


Inverter technology allows for efficient control of the pool temperature, and the I-PAC BHC only uses what energy is needed when it is required. High efficiency with modulating step-less inverter compressor giving an average COP of 10.5 (I-PAC 50BHC) and 10.0 (I-PAC 100BHC).



- Average COP 10 = 2 x more efficient than on/off heat pumps
- Inverter heat pump
- Titanium heat exchanger
- Fully automatic operation
- Comprehensive circuit protection
- Quiet efficient axial fans
- Weather proof construction
- Multifunction operation functions can be set to heating, heat/cool and cooling
- 10-12 dB(A) sound reduction than on/off heat pump with 'Whisper Mode'
- 'Enhanced Vapour Injection' technology for efficient operation, even on the hottest summer days
- Soft start-up
- Aluminium alloy
- Optimised for Gulf climate
- BMS Connectivity
- Built-in Wi-Fi module

Temperature control chart



Applications

- Outdoor and indoor pools (Gulf and SE Asia)
- Hotel and spa pools
- Health clubs
- Wellness centres
- Therapy pools



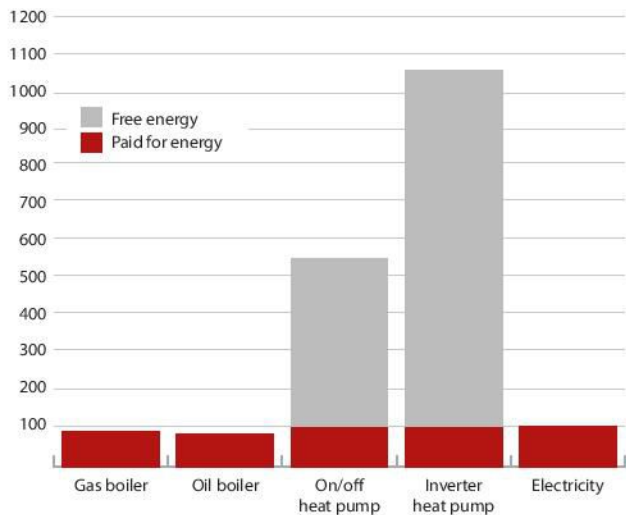
The PoolTherm App for our Calorex I-PAC inverter heat pumps is available on Android and iOS. Simply search for 'PoolTherm' in App Store or Google Play and download it today!



INVERTER HEAT PUMPS CALOREX I-PAC 50-100BHC

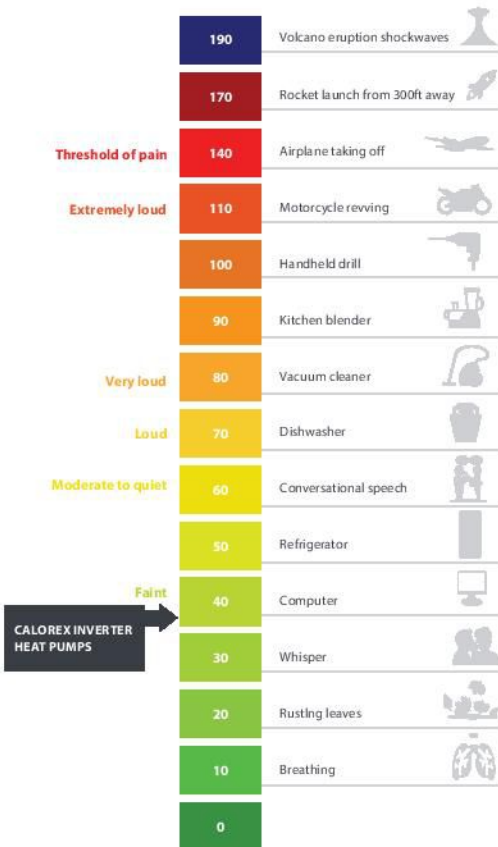


Heating method efficiency chart



Great value, and environmentally conscious heating option, with energy consumption half that of a traditional on/off heat pump, and 1/10 of that for gas or electric pool heating.

Where our heat pump sits on the decibel scale



Specifications	Units	I-PAC 50BHC	I-PAC 100BHC
Air temperature range	°C	0-55	0-55
Performance – air 27°C 80% RH, water 27°C			
Heating capacity	kW	60.2	115.0
Average COP @ 50% speed		10.5	10.0
Performance – air 15°C 70% RH, water 26°C			
Heating capacity	kW	40.1	80.8
Average COP @ 50% speed		7.0	7.0
Performance – air 45°C 50% RH, water 32°C			
Cooling capacity	kW	25.1	50.3
Power supply	V/Hz	400/3ph/50	400/3ph/50
Rated input power	kW	2.26-8.90	4.68-17.5
Rated current input	A	3.27-12.9	6.78-25.3
Max. input current	A	19	38
Water flow	m ³ /h	20-25	40-50
Water Pressure Drop	kPa.	50 is 13	100 is 25
Water connection	mm	75	110
Compressor		Inverter	Inverter
Heat exchanger		Titanium	Titanium
R410A gas weight/CO ₂ equivalent	kg/t	8.0/16.70	16.0/33.41
Sound pressure level @ 1m	dB(A)	53-61	55-64
Sound pressure level @ 10m	dB(A)	33-41	35-44
Product size (l x w x h)	mm	1020 x 1110 x 1260	2100 x 1090 x 1280
Weight	kg	247	453